

Concealed wall installation box -

35 205 970 90

- female thread 1/2" connection
- dust cover
- anti-water packing



Required miscellaneous



WATER POINTS Adapter plate - 12 305 970 90
 •adapter plate for mounting
 concealed rough parts 35 205 970
 90 on the xGRID installation track.

Recommended miscellaneous



**xGRID Attachment set for
 integrating in the dry wall
 construction -** 12 340 970 90

Required miscellaneous

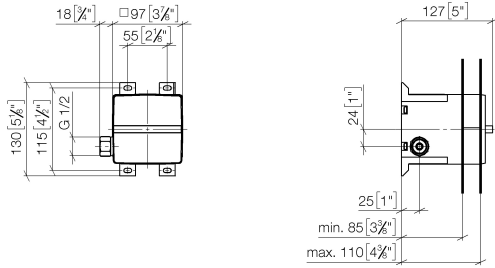


xGRID Installation track 555 mm - 12 360 970 90

Concealed wall installation box -

35 205 970 90

mm [inches]

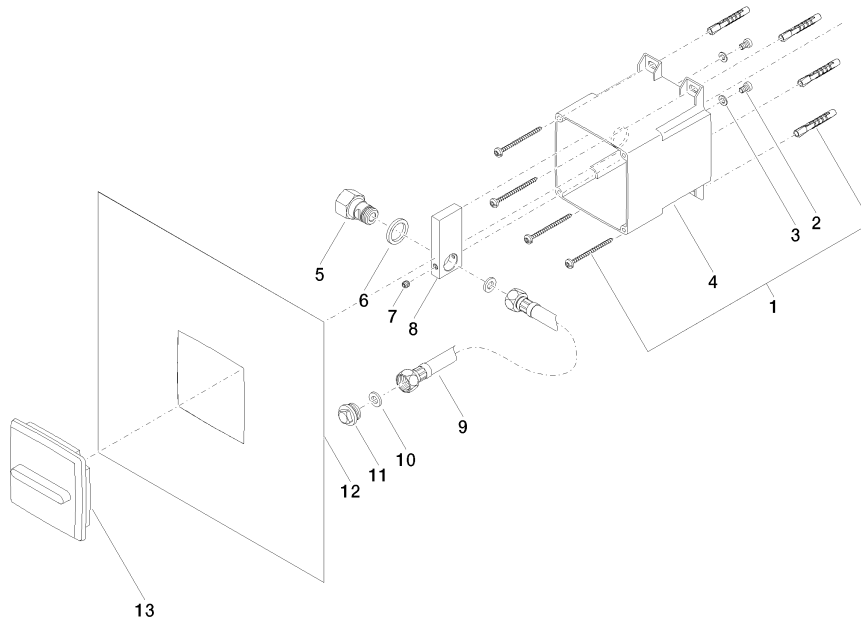


Certificates

LGA_18896.

Concealed wall installation box -

35 205 970 90



Spare parts list

| No. | Item Number | Name | Quantity used | Delivery time |
|-----|--------------------|-------------|---------------|---------------|
| 1 | 05 30 31 025 00 90 | fixing set | 2 | 2 |
| 2 | 09 30 30 112 90 | screw | 2 | 2 |
| 3 | 09 30 11 048 90 | disc | 2 | 2 |
| 4 | 09 11 11 032 90 | accessories | 1 | 60 |
| 5 | 09 24 03 200 20 90 | nipple | 1 | 2 |
| 6 | 09 14 05 001 90 | seal | 1 | 2 |
| 7 | 09 31 11 049 90 | pin | 1 | 2 |
| 8 | 09 17 20 096 90 | holder | 1 | 2 |
| 9 | 09 30 03 002 90 | hose | 1 | 2 |
| 10 | 09 14 20 007 90 | seal | 2 | 2 |
| 11 | 09 31 20 042 90 | plug | 1 | 2 |
| 12 | 04 14 03 118 00 90 | gasket kit | 1 | 2 |
| 13 | 09 11 01 096 90 | cover | 1 | 2 |